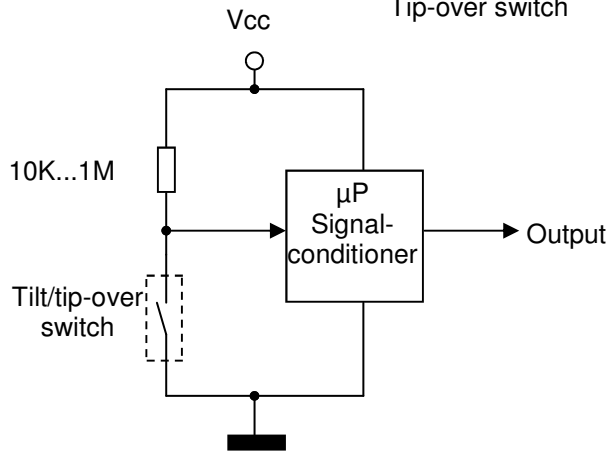
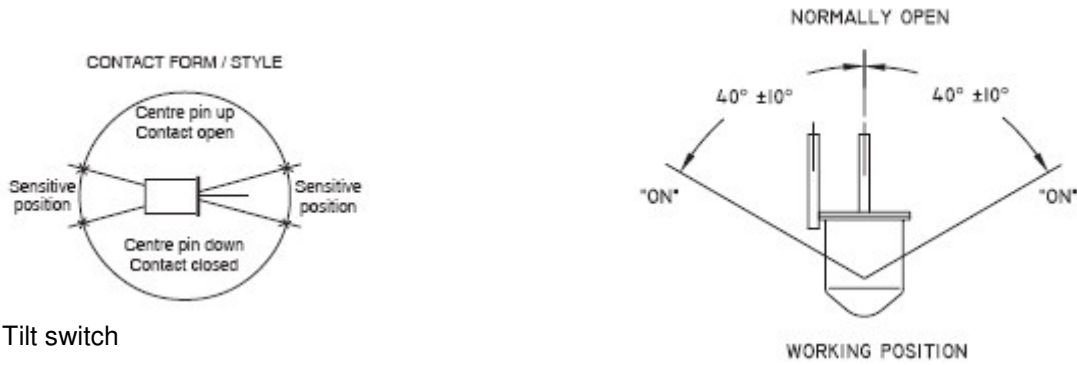
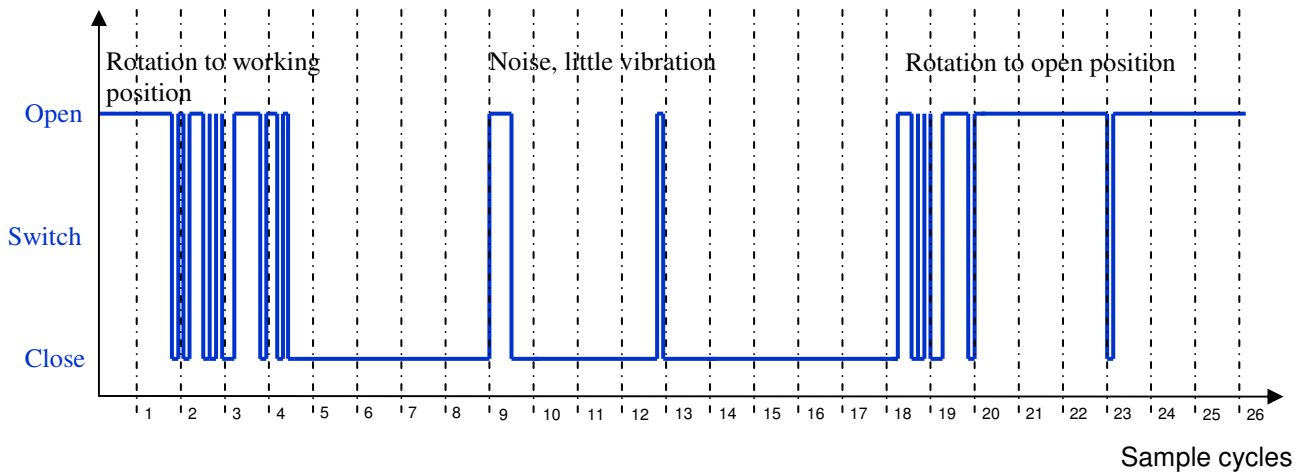


Tilt / tip over switches

Circuit

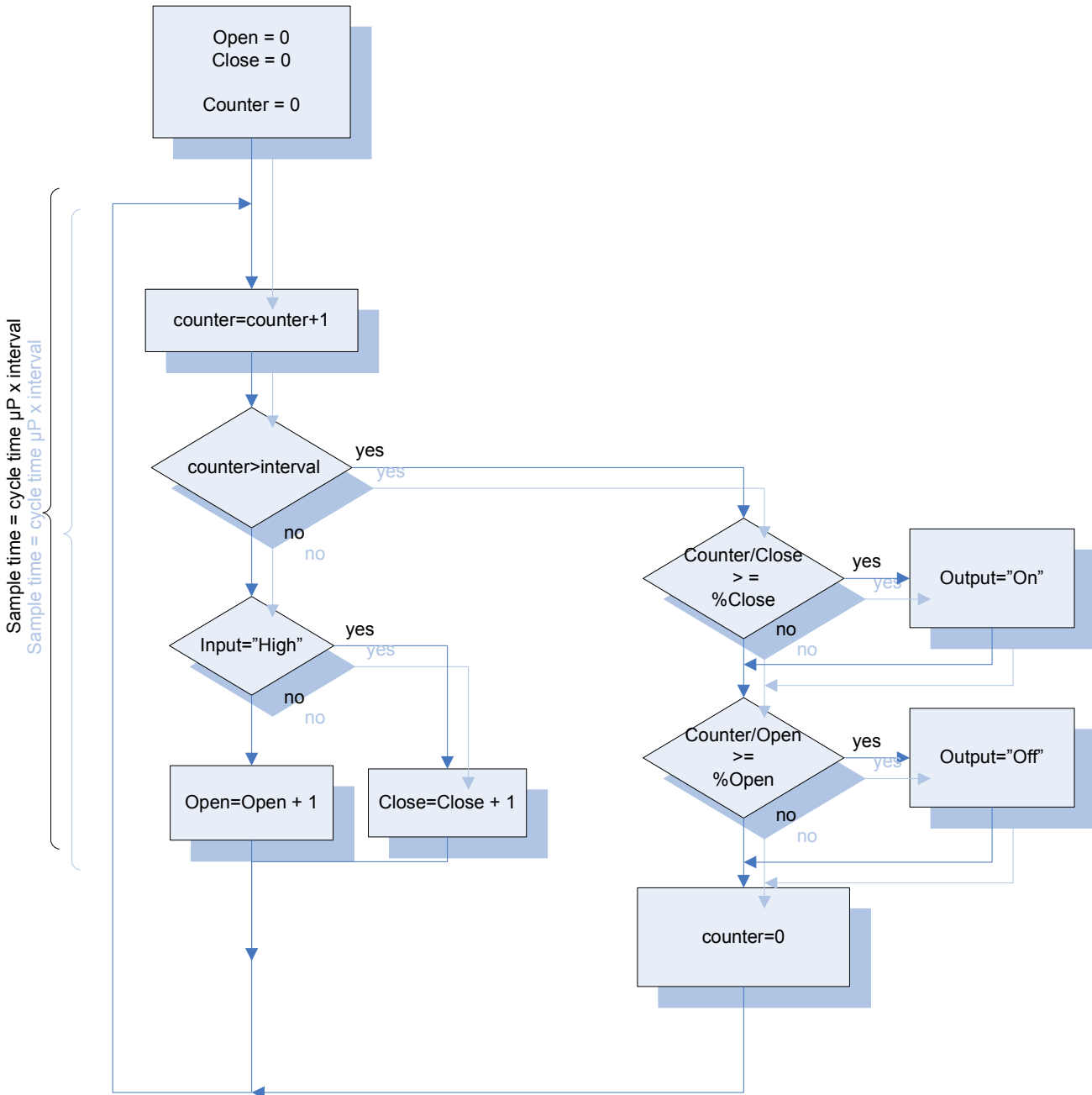


Signal example





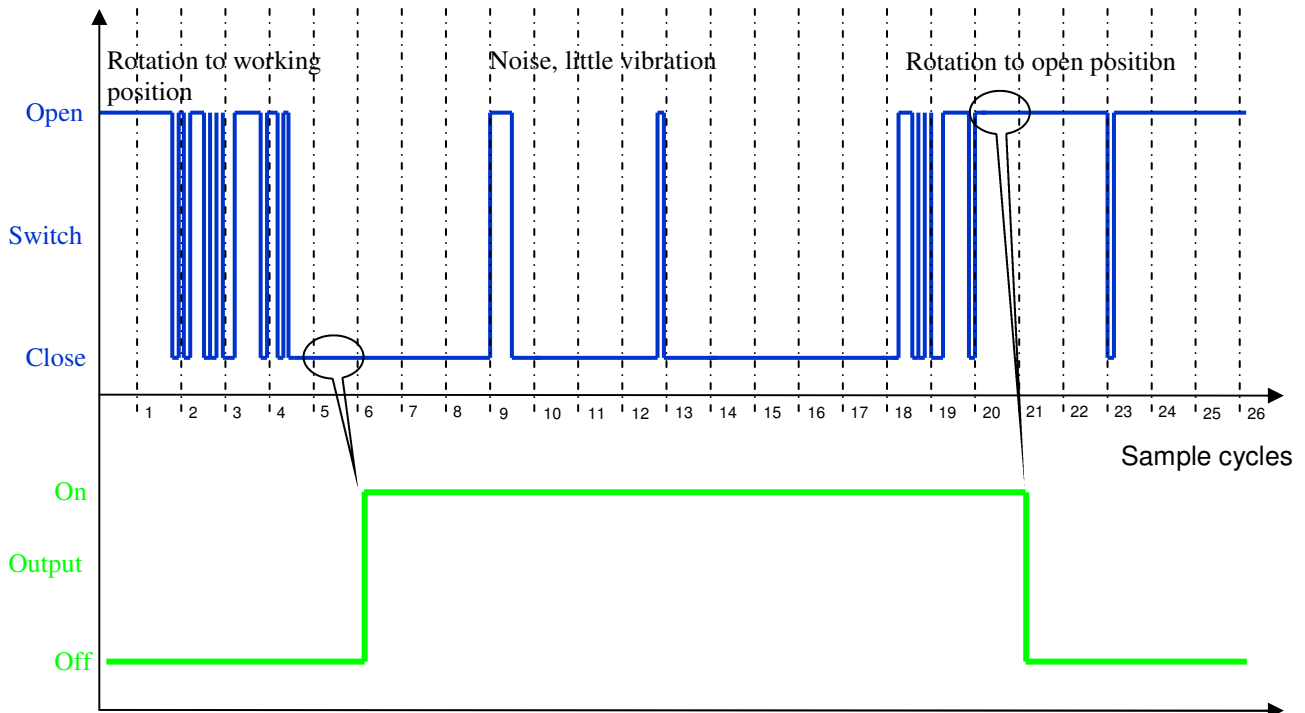
Signal processing software



Output after processing

%Close = 100

%Open = 100



After a sample cycle, the output switch only “on” after 100% closing points.
 And the output can only switch “off” after 100% opening points.

The sensitivity and response time can be change by changing the parameters: interval, %Open and %Close.