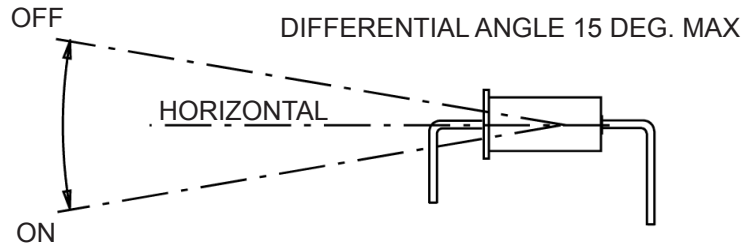


Part Number: CW1300-5
Tilt Switch / Motion Sensor
Product Data Sheet

PICTURE



OPERATION



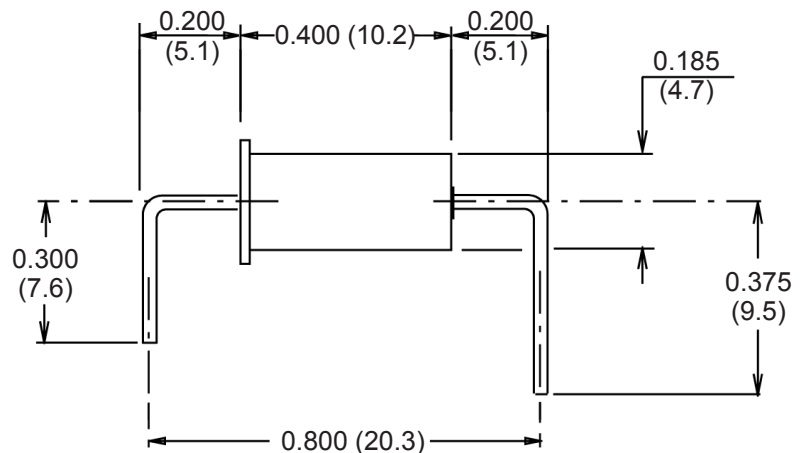
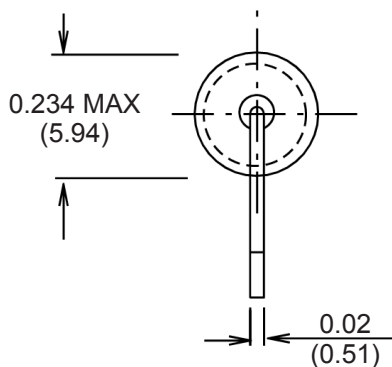
FEATURES

- Resistant to Ambient Environmental Conditions
- Case Material : Tin Plated
- Hermetically Sealed & Inert Gas Filled

✓ RoHS Compliant

DIMENSIONS

Drawings not to scale.
 All dimensions in inches (mm) nominal.



SPECIFICATION

Contact Capacity	60 Volts MAX, 0.25 A MAX, 3 VA MAX
Contact Resistance	30 Ω MAX Measured 10° Below Horizontal at 5 VDC
Make Angle	10° MAX Below Horizontal
Break Angle	10° MAX Above Horizontal
Differential Angle	15° MAX
Operating Temperature	-37° to 100°C

As part of the company policy of continued product improvement, specifications may change without notice. Our sales office will be pleased to help you with the latest information on this product range and the details of our full design and manufacturing service. All products are supplied to our standard conditions of sale unless otherwise agreed in writing.

Phone: (1) 973 777 6900

www.comus-intl.com

Fax: (1) 973 777 8405