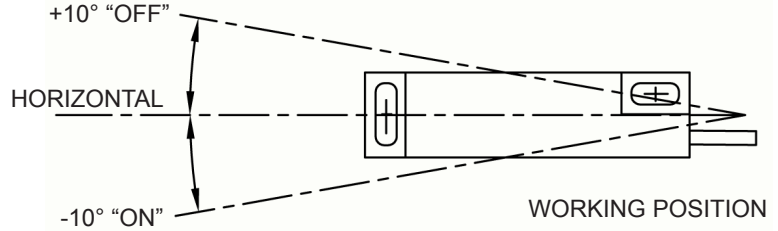


Part Number: CW1300-92
Encapsulated Tilt Switch
Product Data Sheet

PICTURE



OPERATION

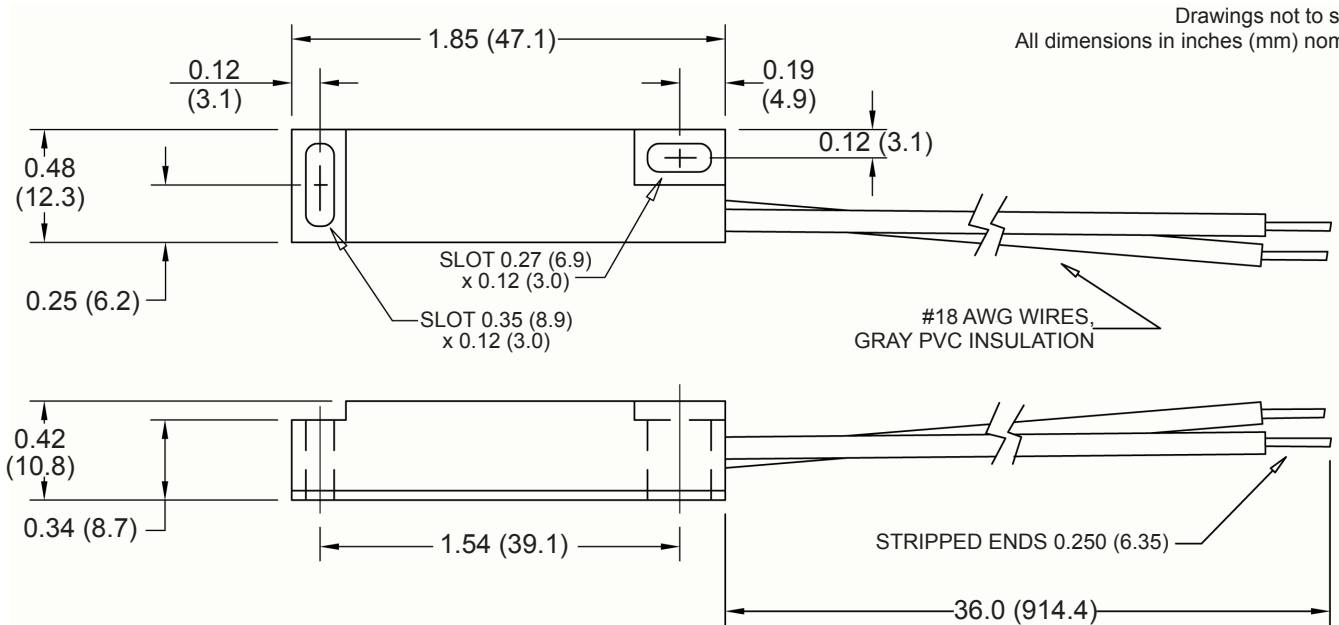


FEATURES

- Resistant to Ambient Environmental Conditions
- Housing Material : ABS Plastic Blue, Epoxy Filled
- Wire : #18 AWG Gray PVC Insulation, 36" Long

✓ **RoHS Compliant**

DIMENSIONS



SPECIFICATION

Contact Capacity	0.25 A, 60 V MAX, 3 VA MAX
Contact Resistance	100 Ω MAX
Make Angle	-10° MAX from Horizontal
Break Angle	+10° MAX from Horizontal
Differential Angle	15° from vertical MAX
Operating Temperature	-20° to 175°C

As part of the company policy of continued product improvement, specifications may change without notice. Our sales office will be pleased to help you with the latest information on this product range and the details of our full design and manufacturing service. All products are supplied to our standard conditions of sale unless otherwise agreed in writing.

Phone: (1) 973 777 6900

www.comus-intl.com

Fax: (1) 973 777 8405