

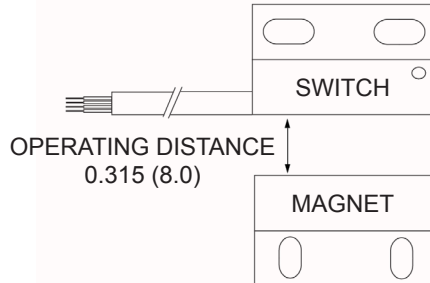
Part Number: PSS 25S/30
Proximity Switch - Hall Effect
Rectangular - Normally Closed Contacts - Suggested Magnet: PSSM

PICTURE



✓RoHS Compliant

OPERATIONAL DIAGRAM

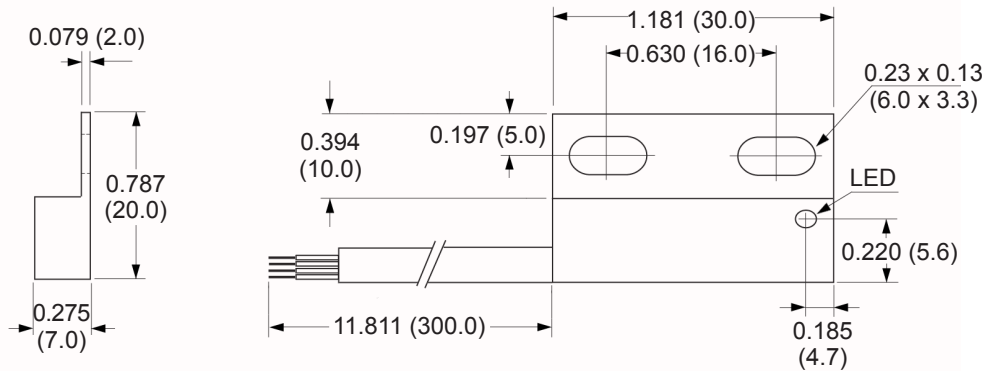


FEATURES

- Resistant to Severe Environmental Conditions
- Case Material: Nylon 66
- Wire: 4 x Round 7/0.2 Screened and PVC Insulated
 (Red: +v, Green: 0V, Blue: NPN Output, Yellow: PNP Output)
- LED Indication

DIMENSIONS

Drawings not to scale.
 All dimensions in inches (mm) nominal.



SPECIFICATION

Supply Voltage	Max. VDC	4.5 - 24
On Current	Max. mA	25
Output Type		Open Collector
Output Current	Max. mA	250
Output Loading	Ohms	4.7K
Sensing Distance (North pole activated)	Min. mm	8
Continuous Temperature Range	Deg °C	-20° +85°
Intermittent Temperature Range	Deg °C	-20° +105°
Storage Temperature Range	Deg °C	-25° +90°

As part of the company policy of continued product improvement, specifications may change without notice. Our sales office will be pleased to help you with the latest information on this product range and the details of our full design and manufacturing service. All products are supplied to our standard conditions of sale unless otherwise agreed in writing.

Phone: (1) 973 777 6900 **www.comus-intl.com** **Fax: (1) 973 777 8405**