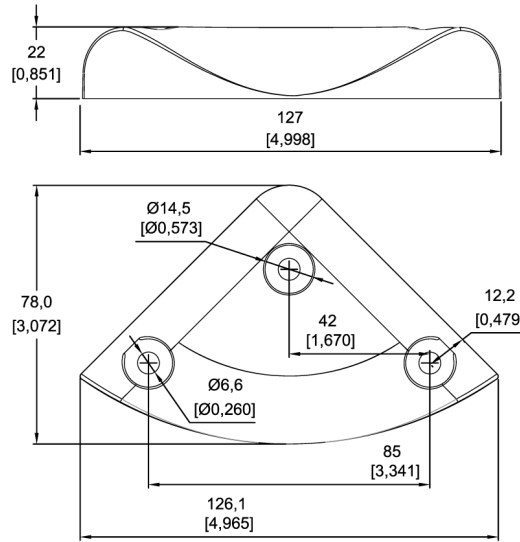


Part Number: RBF Series
Flashing Safety Light - Tilt Activated, Fully Sealed
Replacement for Ross & Bonnyman 302 - 24275 - 03/02

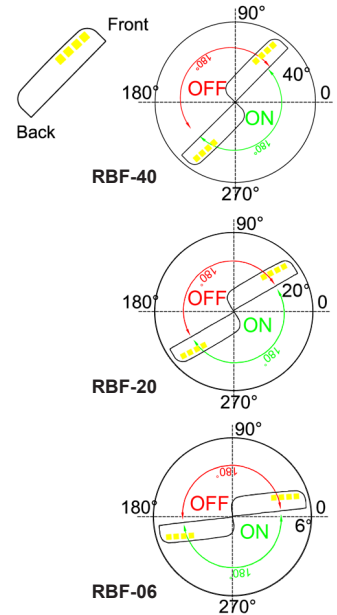
PICTURE



DIMENSIONS



Drawings not to scale.
 All dimensions in mm nominal.



SPECIFICATION

Activation Angle	Degree	220° - 40°
Battery Life		Aprox 5 years (under normal conditions)
Number of LED's		8
Operating Temperature	Celcius	-20° to 85°
Flash Rate	P/min	60
Battery Voltage (non replaceable)	Volts	3.6
Fixing Holes		3 x 6.6 mm (optional metal collar)
IP Rating		68
Material		Resin filled Polycarbonate Shell

ORDERING INFORMATION

RBF - **40**
 Base Part 40 = 40° Angle
 20 = 20° Angle
 06 = 6° Angle

OPTIONS

- Colour: Standard Amber
- Other colours available, please enquire.
- Customer specific activation angle and pulse rate.
- Alternate ways to secure.
- Additional custom angles available upon request.
- If you do not see what you need, just ask, as there is a strong possibility we can do it!

APPLICATIONS INCLUDE

- Tail Lift / Ramp Safety Warning.
- Lorry Outrigger Indication.
- Fork Lift Safety Warning.
- Hazardous Obstruction.

Rev. No.	Revision Note	Date	Signature
3	Additional Angles	08-08-12	ML



As part of the company policy of continued product improvement, specifications may change without notice. Our sales office will be pleased to help you with the latest information on this product range and the details of our full design and manufacturing service. All products are supplied to our standard conditions of sale unless otherwise agreed in writing.

Phone: +44 (0)1255 862236 www.assembletech.co.uk Fax: +44 (0)1255 862014